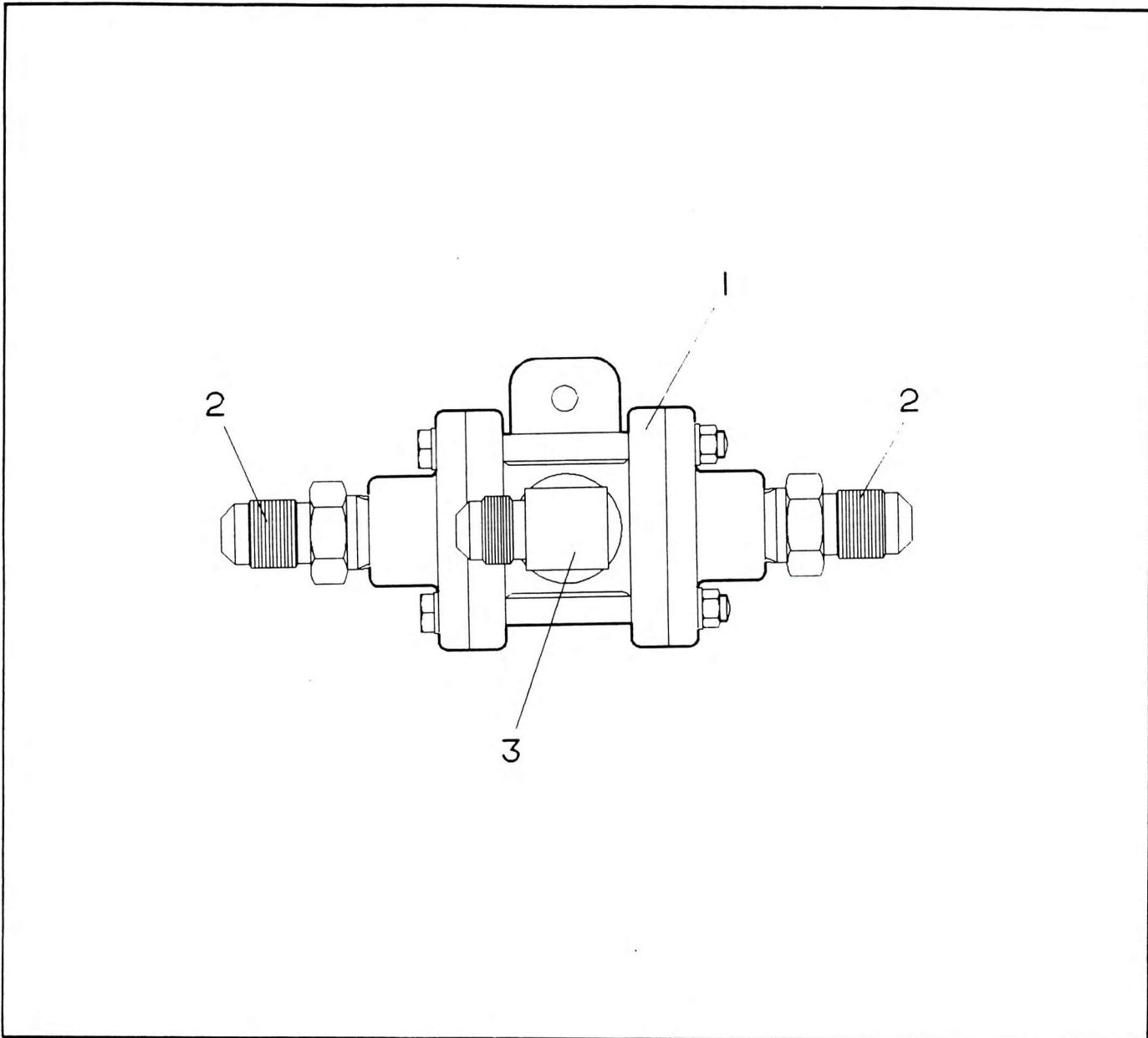


VALVE DOUBLE CHECK SUB ASSEMBLY



NO.	PART NO.	QTY.	DESCRIPTION	NO.	PART NO.	QTY.	DESCRIPTION
-----	----------	------	-------------	-----	----------	------	-------------

1	+	7-926-990122	1	Changeover Valve
2		7-443-990967	2	Adaptor $\frac{3}{8}$ " NPTF x $\frac{1}{4}$ " Tube
3		7-443-991025	1	Fixed Elbow Adaptor

+ See further breakdown in this group